

1)  After Listening, answer the questions

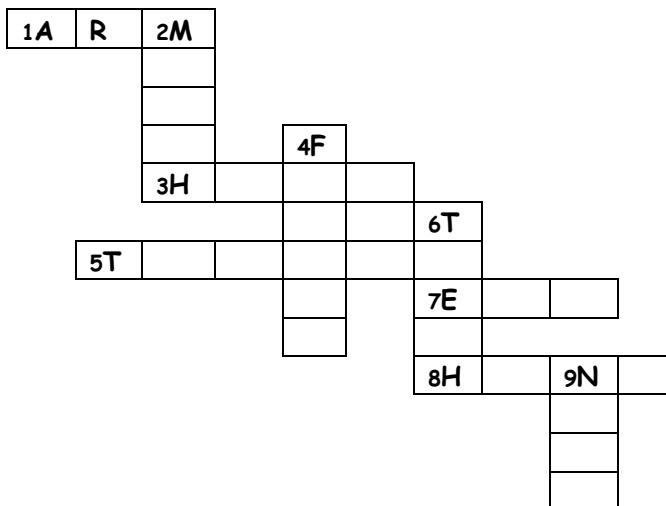
Who is speaking ?	<input type="checkbox"/> a boy <input type="checkbox"/> a girl	Mark .../8
What is his / her name ?	Make a sentence	
How old is he / she ?	Make a sentence	
Where is he / she living ?	<input type="checkbox"/> England <input type="checkbox"/> France <input type="checkbox"/> Germany	
What is his / her father?	<input type="checkbox"/> He is a baker <input type="checkbox"/> He is a teacher	
At school, his / her uniform is	<input type="checkbox"/> green with a white tie <input type="checkbox"/> blue with a white shirt	
Who is Max ?	<input type="checkbox"/> his / her brother <input type="checkbox"/> his / her dog	
What can he / she do ?	<input type="checkbox"/> Play the guitar <input type="checkbox"/> Play the piano	

2) Write about you

My name's.....I'm 11. I'm from.....and I live in
This is my father. His name's.....And this is my Her name's.....

Mark
.../3

3) Complete the crossword with the words for parts of your body



Mark
.../5

4) Write the numbers

one	t.....	three	f.....
five	six	seven	e.....
nine	t.....	eleven	twelve

Mark
.../4